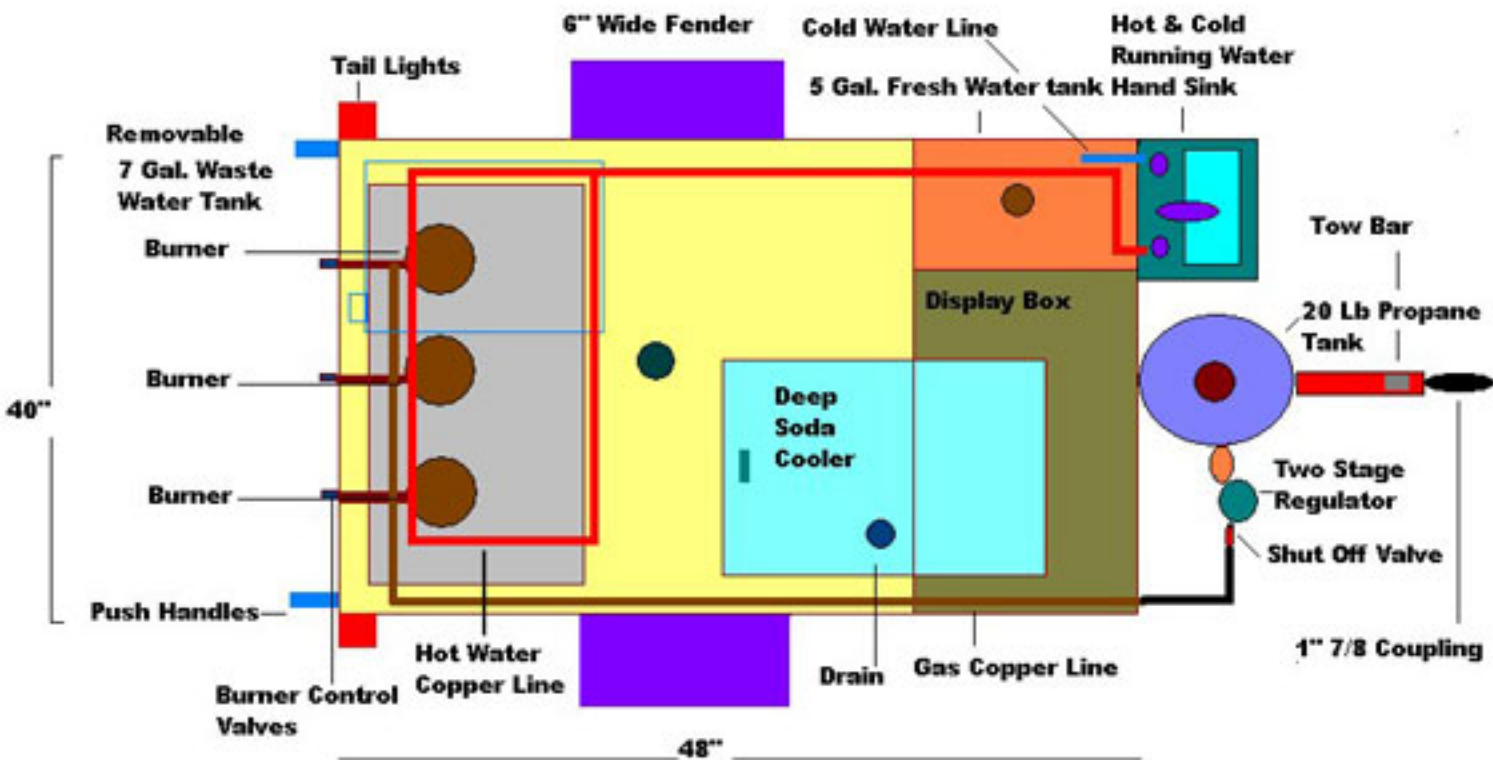
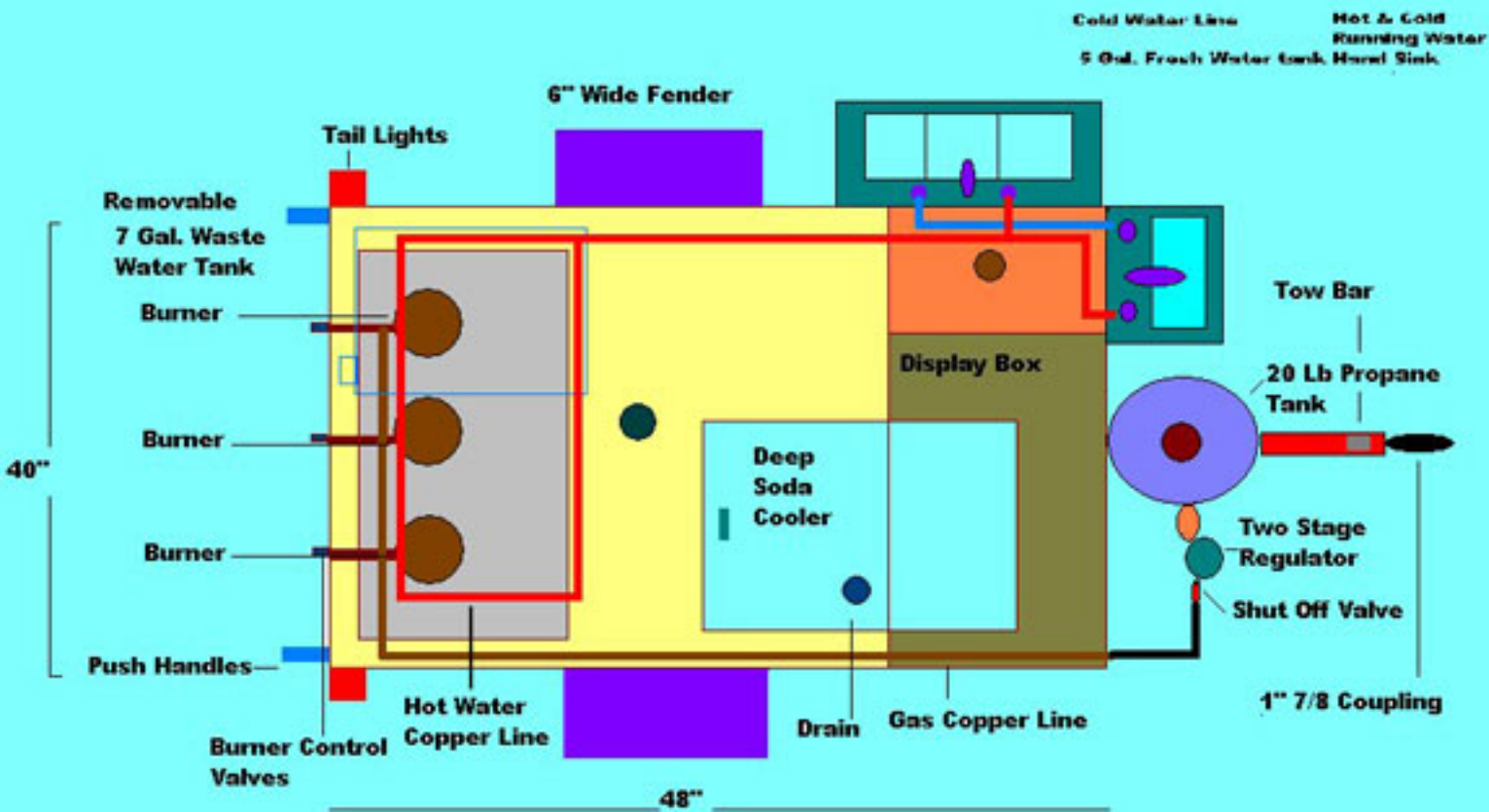
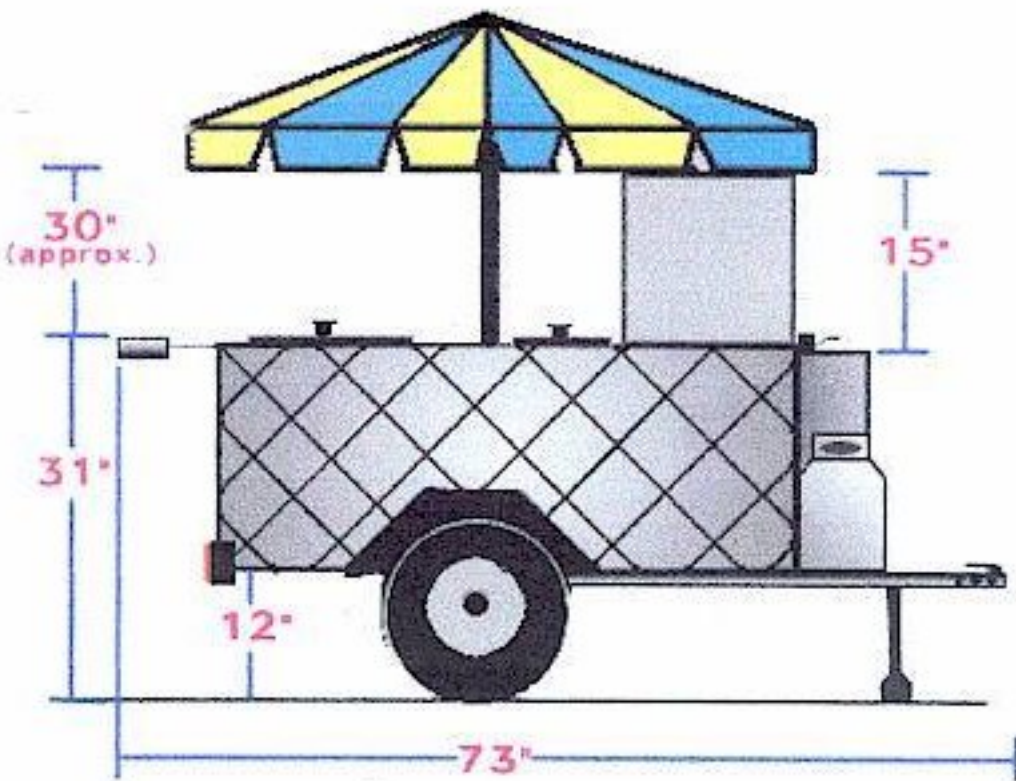


# Original All American Hot Dogger



# Original All American Hot Dogger





**SIDE VIEW**

*We can add different accessories, and all of them will be connected to the main propane tank for your safety and convenience!!!*

Total length from handles to end of tow bar: 84"  
Total height from top to bottom: 55"

*These are standard features, but we'll comply with any Local Health Department requirement. Just let us know their regulations!!*

5 gallon fresh water tank (enclosed in stainless steel)  
18" x 18" working area. Use it as a clean are for preparation or have the add on of your choice mounted here!!

Display Case with Sliding Plexiglas Doors

Standard Shelf for buns or packaged food

Insulated Deep Soda Cooler 20" x 20" x 21"

*If you want to buy an add on, always check with your Local Health Department if it will meet their codes.*

4 1/3 hinged lid pans: 12"x6"x6"  
2 1/6 hinged lid pans: 6"x6"x6" (NSF Approved)

48"

Color Rubber Handles

3 Individually controlled burners

**ALL AMERICAN HOTDOGGER**

*We use stainless steel in all our parts, including fire box and floors of the unit.*

7 gallon waste water tank (removable)

14"

Stainless Steel Hinges

6"

24"

*Not seen in this front drawing but included in our standard All American Hot Dogger: hot and cold running water hand sink, D.O.T. approved trailer, tail lights, 20 lb. propane tank, top quality dolly wheel on trailer, etc.*