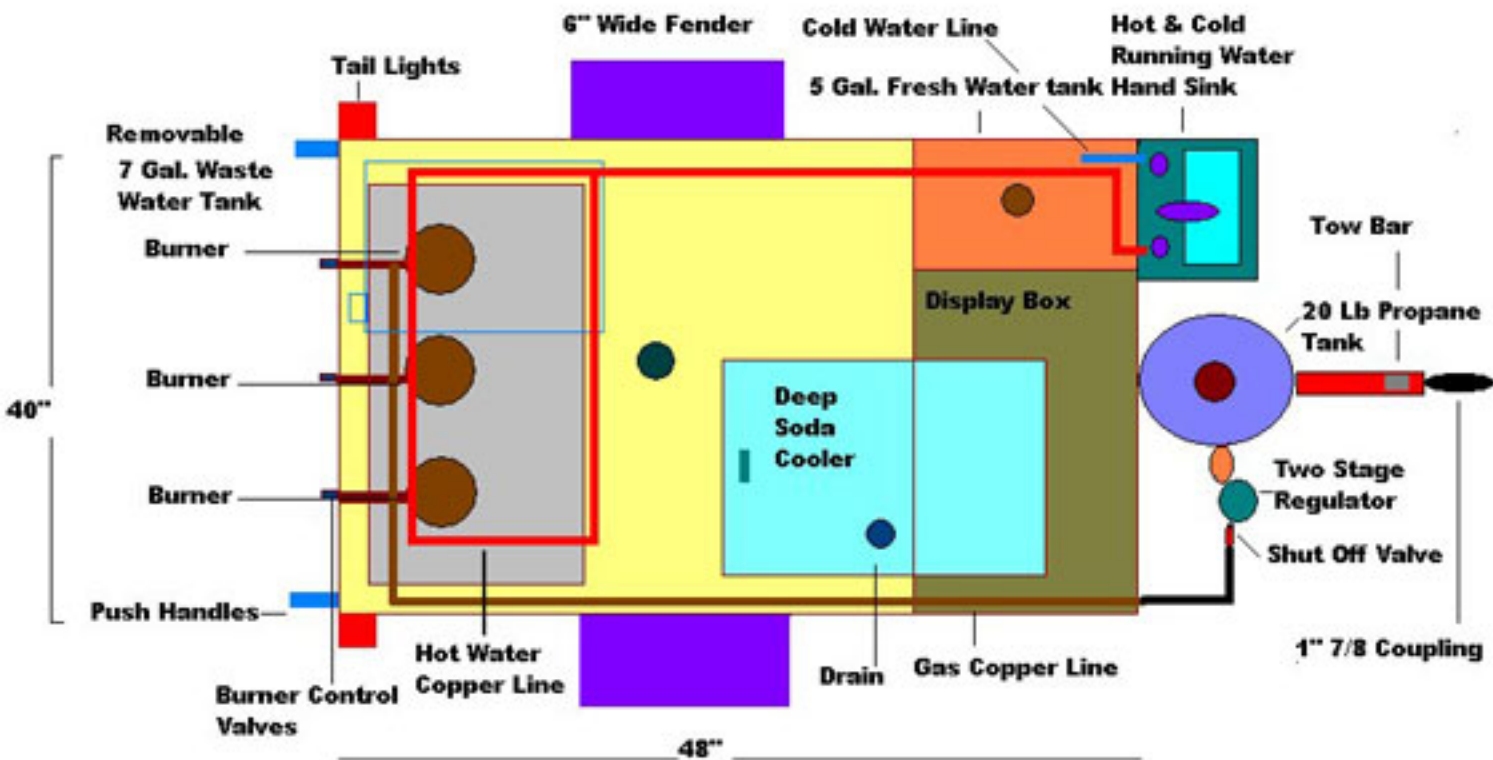
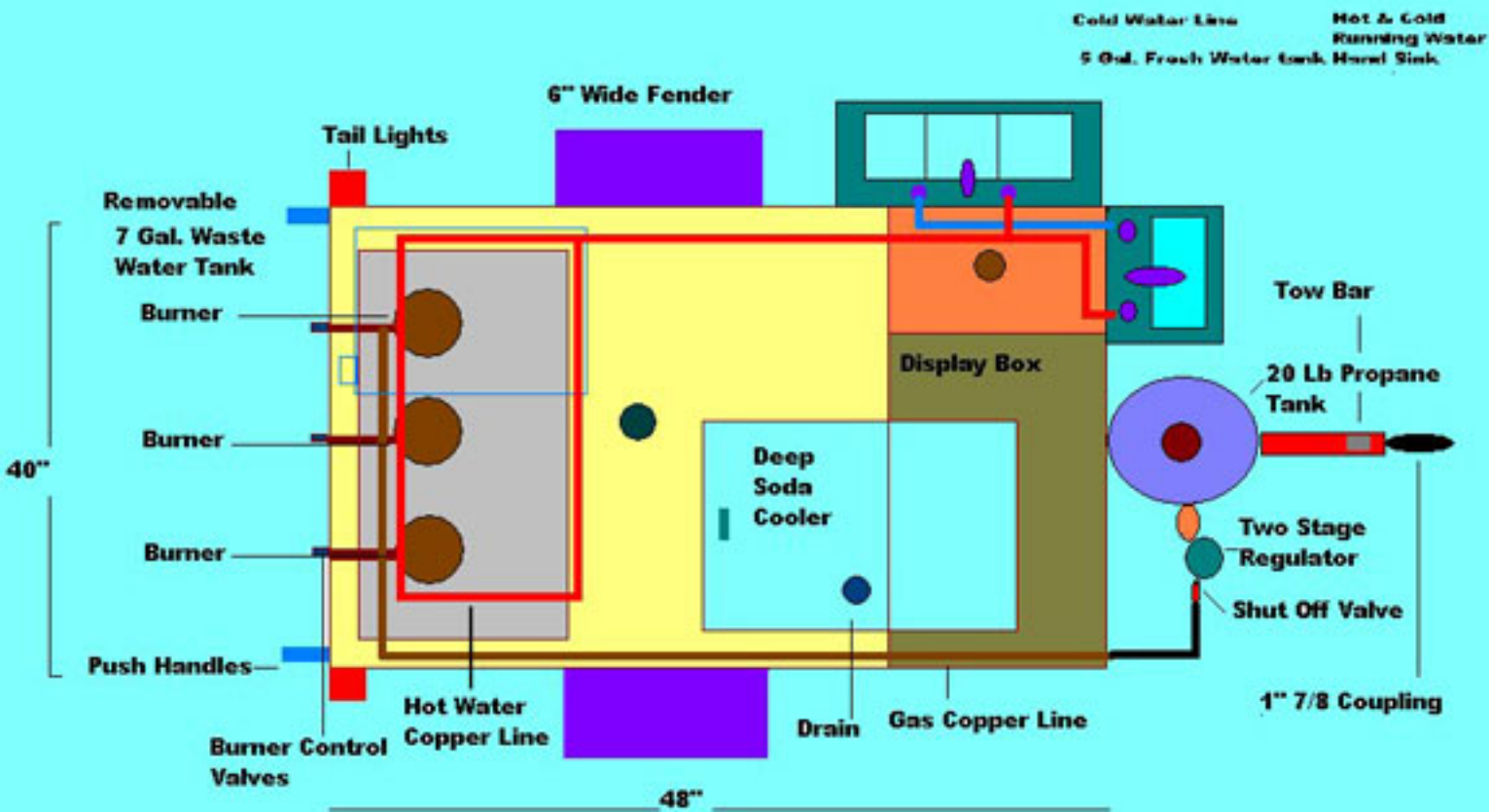
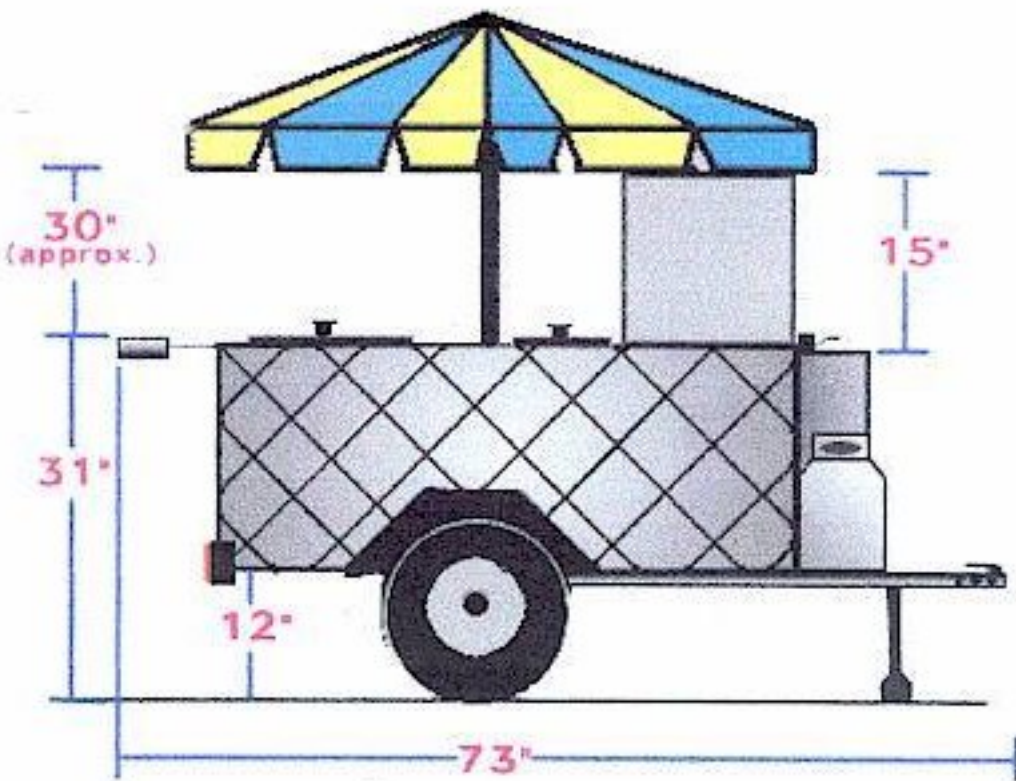


Original All American Hot Dogger



Original All American Hot Dogger





SIDE VIEW

We can add different accessories, and all of them will be connected to the main propane tank for your safety and convenience!!!

Total length from handles to end of tow bar: 84"

Total height from top to bottom: 55"

These are standard features, but we'll comply with any Local Health Department requirement. Just let us know their regulations!!

5 gallon fresh water tank (enclosed in stainless steel)

Display Case with Sliding Plexiglas Doors

Standard Shelf for buns or packaged food

18" x 18" working area. Use it as a clean area for preparation or have the add on of your choice mounted here!!

Insulated Deep Soda Cooler 20" x 20" x 21"

If you want to buy an add on, always check with your Local Health Department if it will meet their codes.

48"

Color Rubber Handles

4 1/3 hinged lid pans: 12"x6"x6"
2 1/6 hinged lid pans: 6"x6"x6"
(NSF Approved)

40"

3 Individually controlled burners

ALL AMERICAN HOTDOGGER

24"

7 gallon waste water tank (removable)

14"

Stainless Steel Hinges

We use stainless steel in all our parts, including fire box and floors of the unit.

Not seen in this front drawing but included in our standard All American Hot Dogger: hot and cold running water hand sink, D.O.T. approved trailer, tail lights, 20 lb. propane tank, top quality dolly wheel on trailer, etc.